

## NCT200 Four-channel Counting System

### PRODUCT DESCRIPTION

The Nortech NCT200 is a four-channel counting system that can be used either as a standalone unit providing up to 4 individual counters or as part of a count management system by linking it to the server PC of the count management system (VenueMaster or NorParc).

When in standalone mode, one or more Variable Message Signs can be associated with each of the counters to provide information of space availability to staff and visitors. Up to two alarm outputs can be associated with each counter to indicate that the count has reached a predetermined value. The outputs can be used to operate Open/Full signs, traffic lights or other external indicators as necessary.

When used with a count management system, the NCT200 can be networked to the server via either RS485 or TCP/IP. The outputs from the NCT200 can be controlled directly from the software to support centralised control of signs, alarms, door/barrier control arming, etc.



### FEATURES

- Up to 4 individual counters, each with a count range of -32500 and +32500
- Both increment and decrement inputs (up to 4 of each, depending upon configuration)
- Drives up to four individual Virtual Message Signs (eight when linked to count management software)
- Alarm and Pre-alarm outputs when counts reach preset thresholds
- Each counter can be individually configured to count up or down
- Can be programmed directly using a full numeric keypad and 2-line x 16-character LCD
- Can be managed remotely via an RS485 or TCP/IP network
- Individually configurable 'reset' value for each counter
- Master 'reset' input
- Password protected

### SPECIFICATIONS

#### Electrical

Supply Voltage: 12 - 24V DC  
Current Requirement: 100 mA quiescent, up to 230mA while all alarms are active

#### Physical

Display: 2 lines x 16 character LCD  
Keypad: 12 button membrane. Keys 0 to 9 plus 'Program' and 'Enter'  
Dimensions (mm): 190 x 130 x 43 (H x W x D)  
Cable Termination: Plug-in screw terminal blocks

#### Environmental

Operating Temperature: 0°C to 40°C  
Storage Temperature: -20°C to 70°C  
Relative Humidity: 95% non-condensing

#### Capacity

Counting capacity: 4 counters, each counting up to 32700

#### Inputs

Increment/decrement: 4 counter increment inputs and 4 counter decrement inputs (clean contact pulse)  
Master count reset: Single input to set all counters to their reset value (clean contact pulse)

#### Outputs

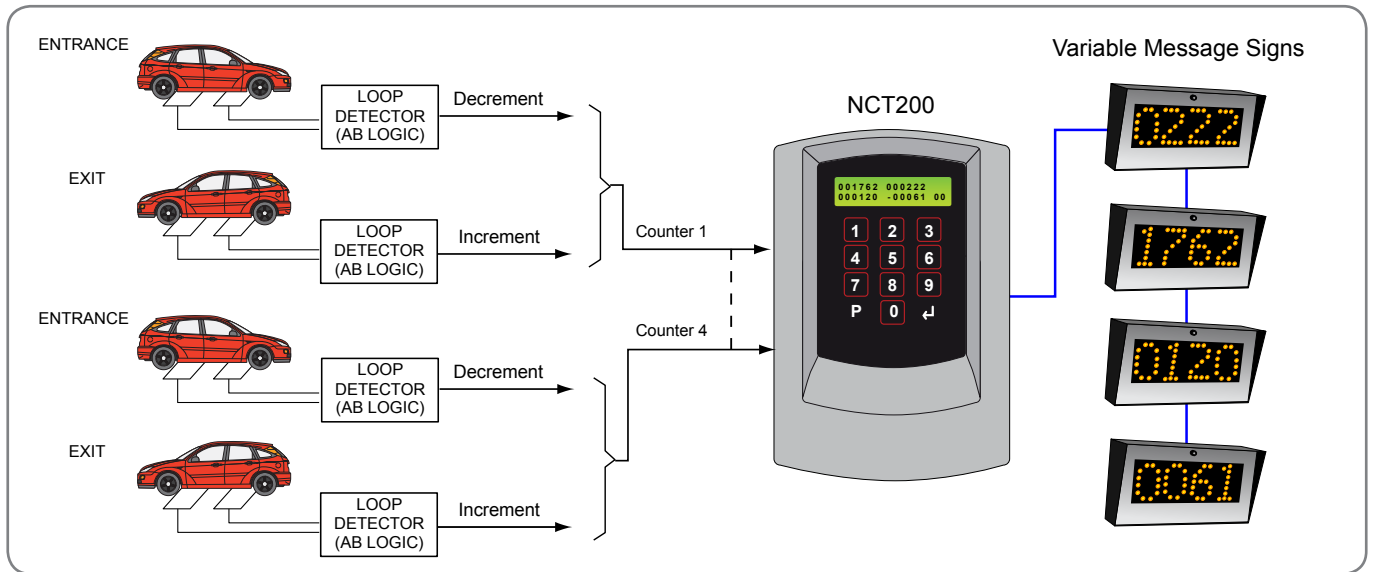
Alarm outputs: 2 independent voltage free changeover relays (2A, 30V DC) plus 2 open collector outputs  
Pre-alarm outputs: 4 open collector outputs.  
Variable Message Signs: RS485 communications port supporting 8 node addresses (8 individual count values)

#### PC Communication

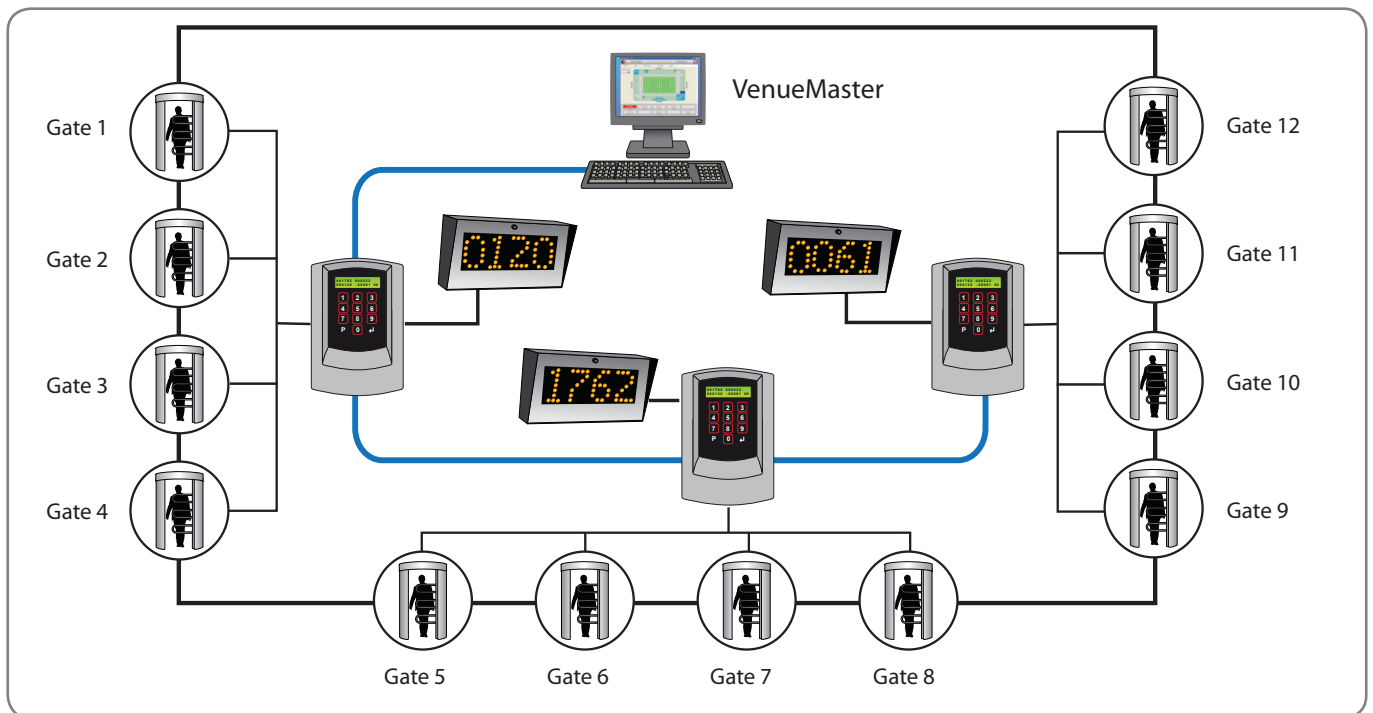
Count Management System: RS485 communications port (option to connect to a TCP/IP network)

# NCT200 Four-channel Counting System

## Example Standalone Parking Application



## Example Networked Stadium Application



## Compatible Software Products

- NorParc** NorParc Car Park Count Management System
- VenueMaster** Venue Count Management System

## Ordering Information

- NCT200-48** 4-channel counting system with VMS control bus and PC communications bus. Can operate stand-alone or networked to NorParc or VenueMaster software.
- NCT200-48-ENC** 4-channel counting system with VMS control bus and PC communications bus. Can operate stand-alone or networked to NorParc or VenueMaster software. Complete with enclosure and 12V DC PSU.
- NCT200-TCP-ENC** 4-channel counting system with VMS control bus and TCP/IP communications interface. Can operate stand-alone or networked to NorParc or VenueMaster software. Complete with enclosure and 12V DC PSU.